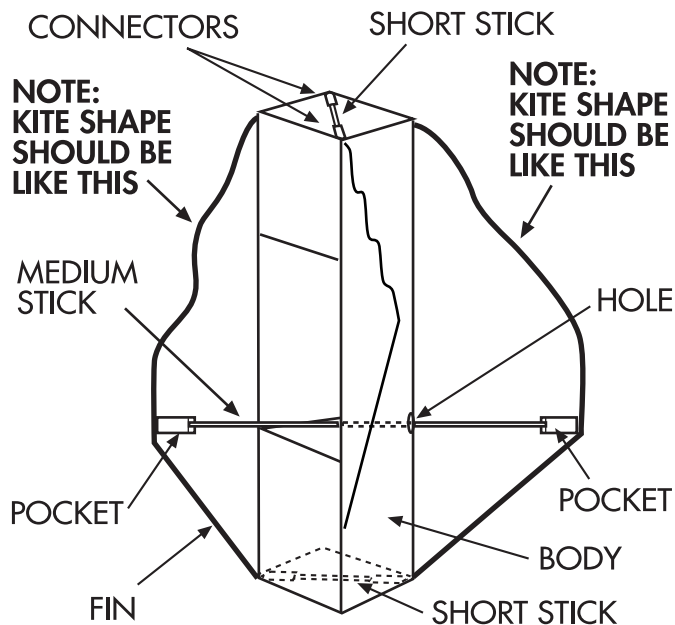


ASSEMBLY INSTRUCTIONS FOR 1708 FISH KITE

- 2 SHORT STICKS
- 1 MEDIUM STICK
- 1 LONG STICK

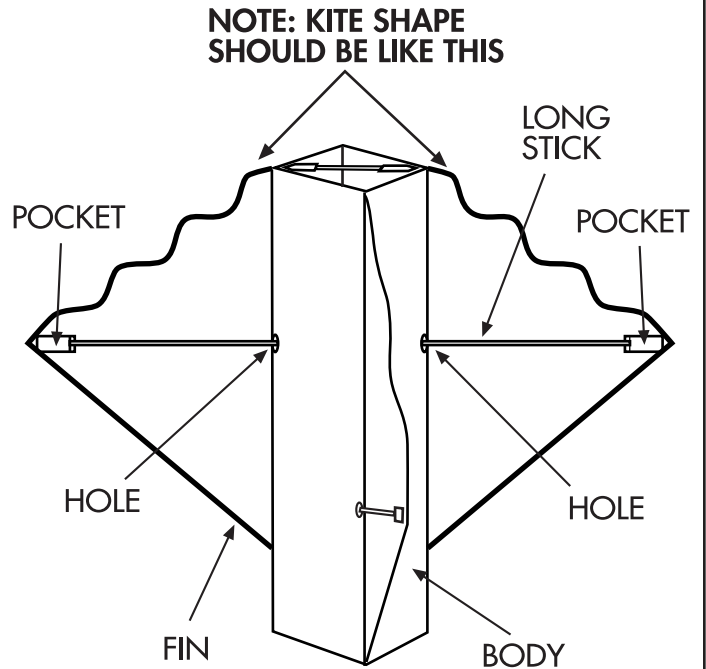
Step 1

Insert the Short Sticks into connectors inside each end of kite. Then thread the Medium Stick through the hole in the body of kite and insert the ends into pockets on the tips of fins as shown.



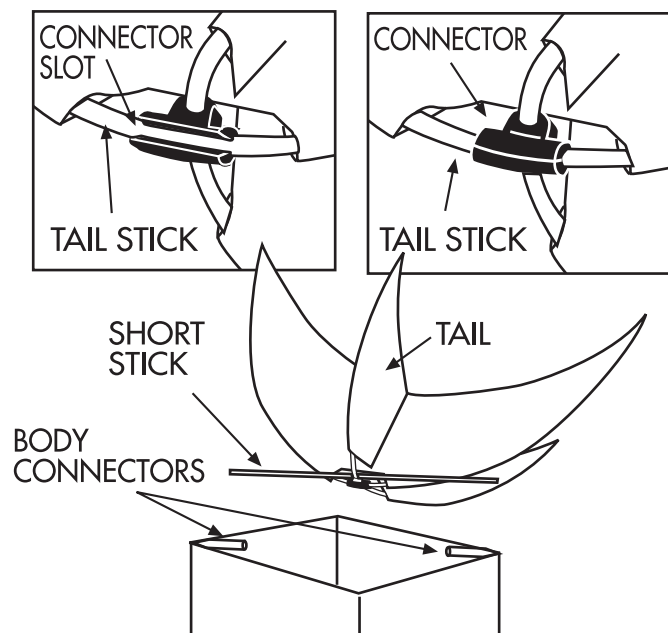
Step 2

Thread the Long Stick through the holes in the body of kite and insert the ends into pockets on the tips of fins as shown.



Step 3

Open the black connector open at the slot and push the tail stick into the opening. Then remove the short stick from the body connectors and slide it through the opening behind the tail connector. Finally, insert the short stick into the body connectors.



Step 4

Slide the nose onto the end of body and secure it with the velcro strips located on the inside of nose and the outside of the body.

