

# The Peacock Butterfly

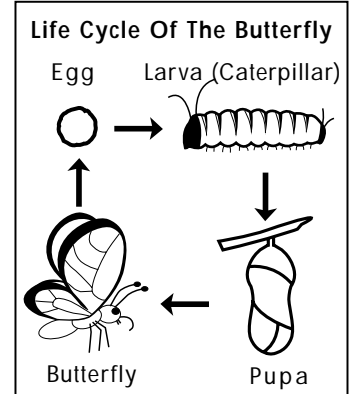
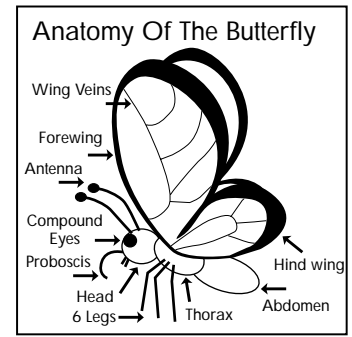
The Peacock butterfly gets its name from the unusual markings on its wings called eye spots which resemble those on the peacock bird. These eye spots are useful to the butterfly because they confuse predators and keep them away .

The adult members of the species are light brown on the dorsal surface and dark brown on the ventral surface with purplish-black lines for camouflage; the wingspan varies from 2 1/4" 2 1/2". The females are somewhat larger than the males.

They live throughout Europe and in the temperate parts of Asia. The Peacock butterflies are often seen in woods, meadows, pastures, parks and gardens feeding on asters, thistles, chrysanthemums and the sap from trees.

The Peacock begins as an egg which develops into a caterpillar. In the next stage the caterpillar develops into a pupa and then finally emerges as a butterfly. The eggs are frequently laid on stinging nettles and hops. In late July the caterpillars emerge and use these plants as food. They emerge from the pupa as a butterfly in late summer and hibernate during the winter and reemerge in the spring. Their life span last about one year.

The Peacock is one of nature's most colorful butterflies. We hope you enjoy your Peacock butterfly kite.



## KITE ASSEMBLY INSTRUCTIONS

FOR GAYLA KITE #441 AND 841

Please read all the instructions **BEFORE** you begin assembly. Check the parts supplied with kite. Take precautions not to lose small parts. Please read safety information on package before flying kite.

## KITE PARTS

1 SHORT STICK

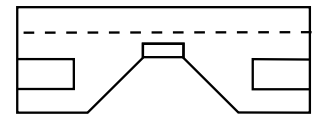
2 LONG STICKS

2 END CAPS

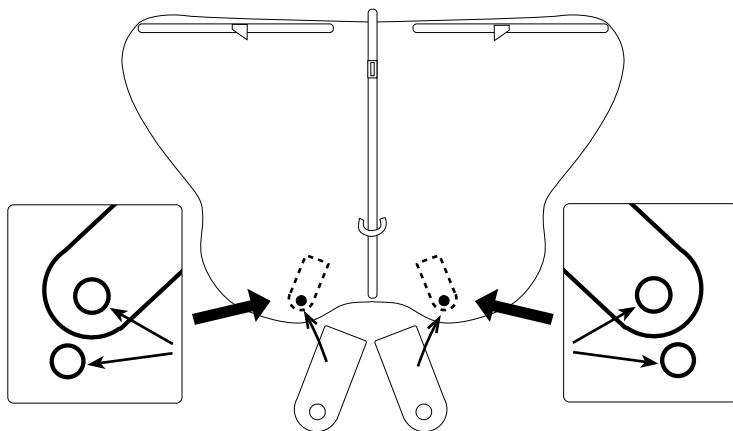
4 CLEAR WING REINFORCEMENT STICKERS PRE SLIT ON BACKING SHEET

1 CLEAR TOP REINFORCEMENT STICKER WITH PRINTED GUIDES

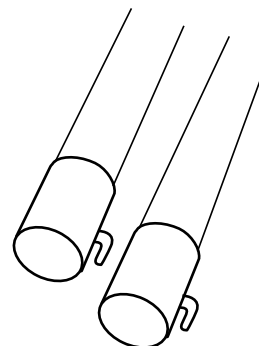
2 HOLE REINFORCEMENT TABS



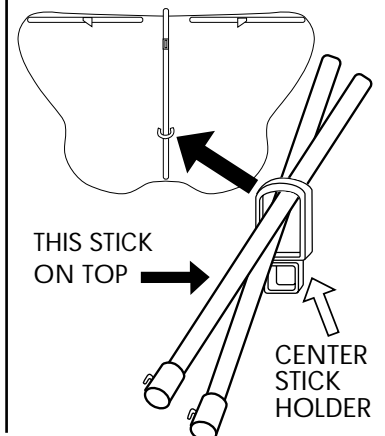
- Place kite with **PRINTED SIDE DOWN**. Apply the hole reinforcement tabs to kite. Align the holes in the tabs over holes in kite. Press tabs firmly to kite.



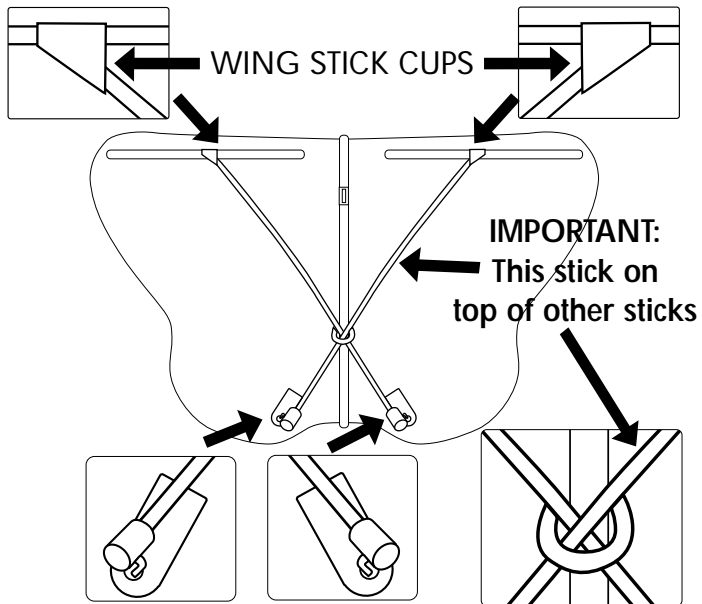
- Place one end cap on each of the two long sticks and push in completely.



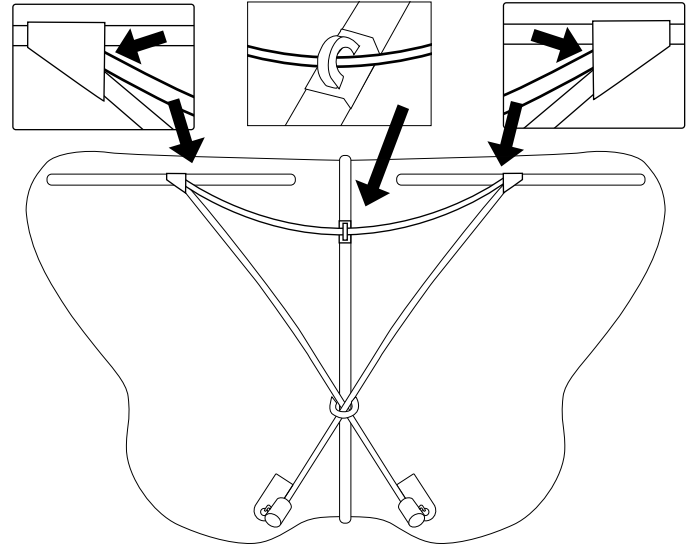
- Insert the two longest sticks into the center stick holder. It is nearest to the bottom of the kite.



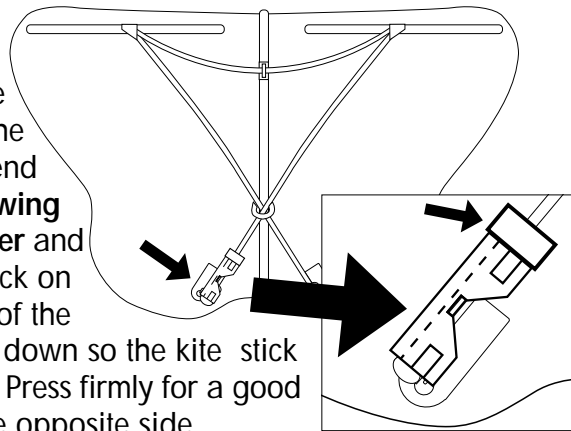
4. Spread the two longest sticks into a "X" shape. Insert the top of each stick into the wing stick cups. Insert the bottom of the sticks with the end caps into the holes in kite.



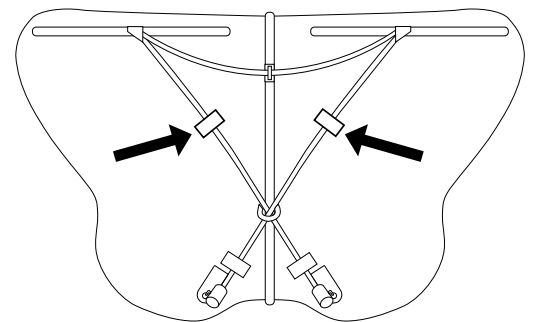
5. Insert the short kite stick into the top stick holder. Insert each end into each wing stick cup.



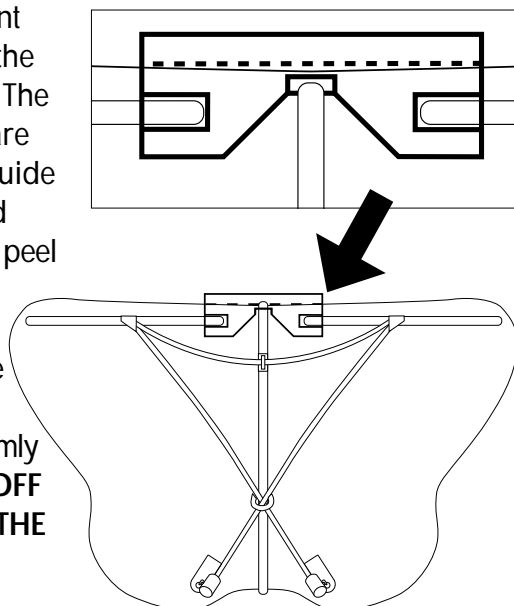
6. Place the top reinforcement sticker sheet on the kite and measure the distance from the end cap. Peel off one wing reinforcement sticker and place it over the stick on the kite at the end of the sheet. Press sticker down so the kite stick is touching the kite. Press firmly for a good seal. Repeat for the opposite side.



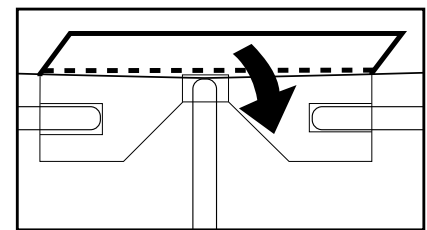
7. Position top two stickers approximately center between stick holder and wing stick cup.



8. Place the top reinforcement sticker **UNDER** the top of the kite and align with sticks. The outlines of the kite sticks are printed on the sticker to guide you. After you understand where the sticker goes then peel the backing sheet off the **BOTTOM PART** of the reinforcement sticker. Place the sticker under kite as before and press the kite firmly to sticker. **DO NOT PEEL OFF NARROW TOP PART OF THE STICKER AT THIS TIME.**



9. Peel the backing sheet off the narrow top part of the reinforcement sticker and fold over the top of kite to the other side and press firmly.



10. Tie string to kite keel. Kite is now ready to fly.

