

The Tiger Swallowtail Butterfly

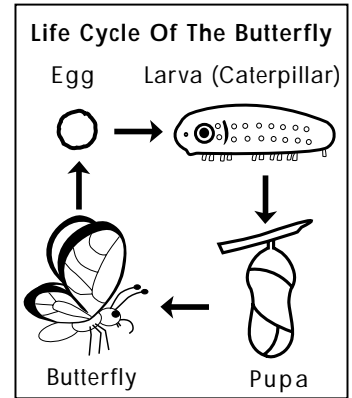
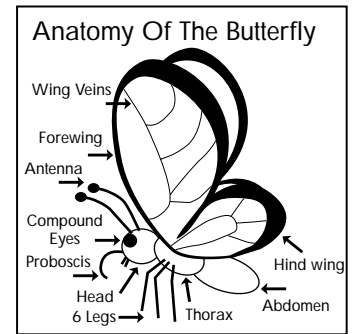
The Tiger Swallowtail butterfly has distinctive black and yellow markings on its wings like a tiger. These butterflies are called swallowtails because they have long “tails” on their hindwings which look like the pointed tails of the birds called swallows. Their wing span is 3 1/2” to 6 1/2”.

Tiger Swallowtails are found in the country and in cities. They live in woods, forest edges, river valleys, parks and suburbs. Their range is the Eastern United States and Canada from Ontario south to the Gulf coast, west to Colorado plains and central Texas.

The Tiger Swallowtail first begins as an egg which develops into a caterpillar. As a caterpillar the Tiger Swallowtail is green with large yellow eyespots with black pupils which make it look like a snake which scares off predators. In the next stage the caterpillar develops into a pupa and then finally emerges as a butterfly. The entire development period usually takes about one month.

The Tiger Swallowtail lays its eggs on tulip, sweet bay, wild black cherry ash, aspen and birch trees. When the egg hatches into a caterpillar it feeds on the leaves. Shortly before the caterpillar becomes a pupa it folds a leaf over and secures it with silk. When it emerges as a butterfly it drinks the nectar of a variety of flowers including the wild cherry, lilac and the shrub abelia.

The Tiger Swallowtail is one of nature’s most colorful butterflies. We hope you enjoy your Tiger Swallowtail butterfly kite.



KITE ASSEMBLY INSTRUCTIONS

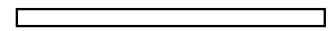
FOR GAYLA KITE #442 AND 842

Please read all the instructions **BEFORE** you begin assembly. Check the parts supplied with kite. Take precautions not to lose small parts.

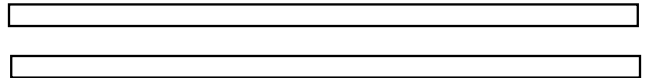
Please read safety information on package before flying kite.

KITE PARTS

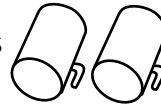
1 SHORT STICK



2 LONG STICKS



2 END CAPS



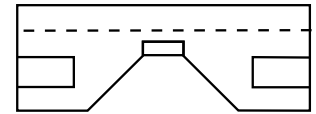
2 HOLE REINFORCEMENT TABS



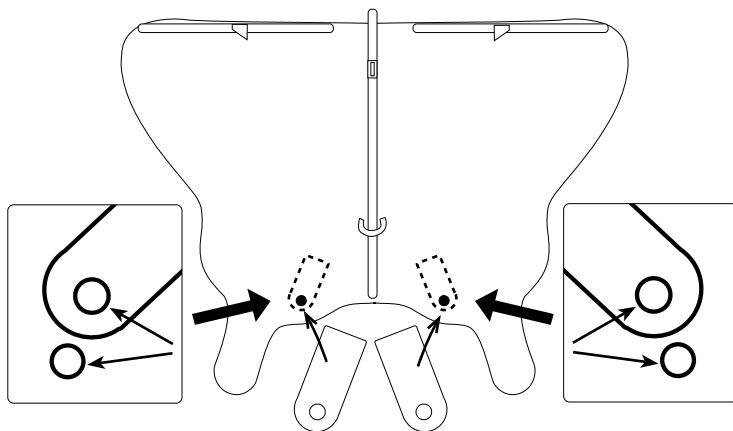
4 CLEAR WING REINFORCEMENT STICKERS PRE SLIT ON BACKING SHEET



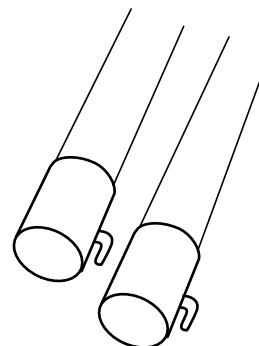
1 CLEAR TOP REINFORCEMENT STICKER WITH PRINTED GUIDES



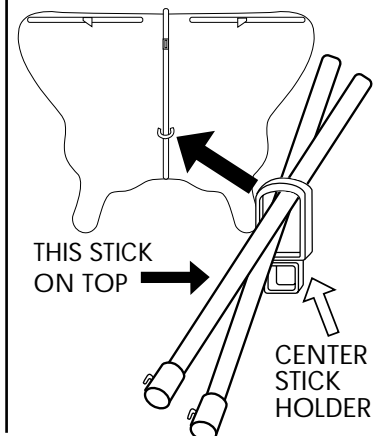
- Place kite with **PRINTED SIDE DOWN**. Apply the hole reinforcement tabs to kite. Align the holes in the tabs over holes in kite. Press tabs firmly to kite.



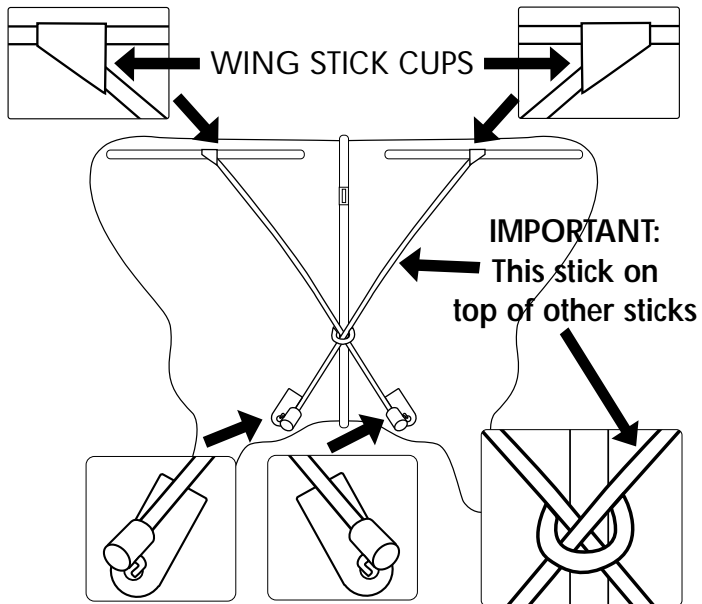
- Place one end cap on each of the two long sticks and push in completely.



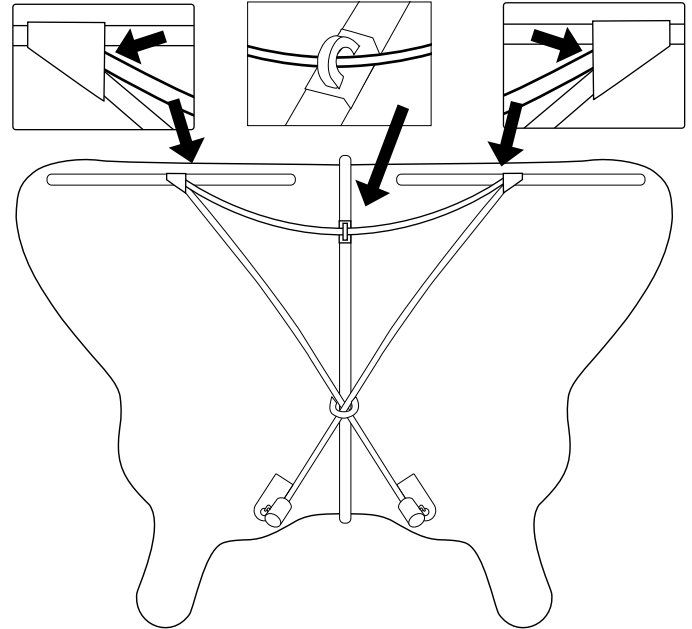
- Insert the two longest sticks into the center stick holder. It is nearest to the bottom of the kite.



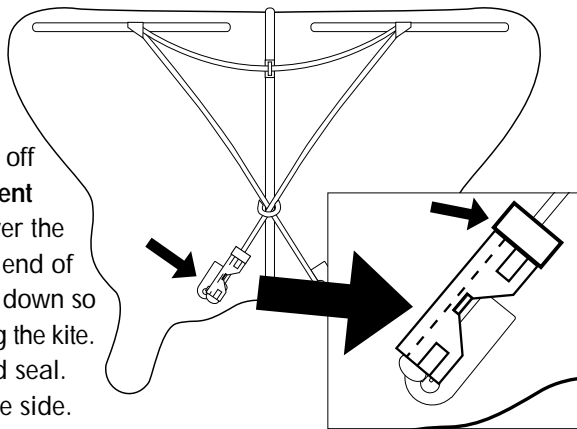
4. Spread the two longest sticks into a "X" shape. Insert the top of each stick into the wing stick cups. Insert the bottom of the sticks with the end caps into the holes in kite.



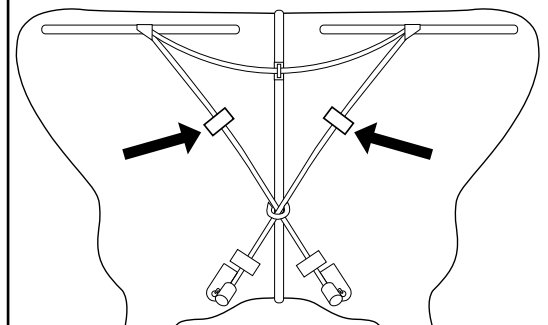
5. Insert the short kite stick into the top stick holder. Insert each end into each wing stick cup.



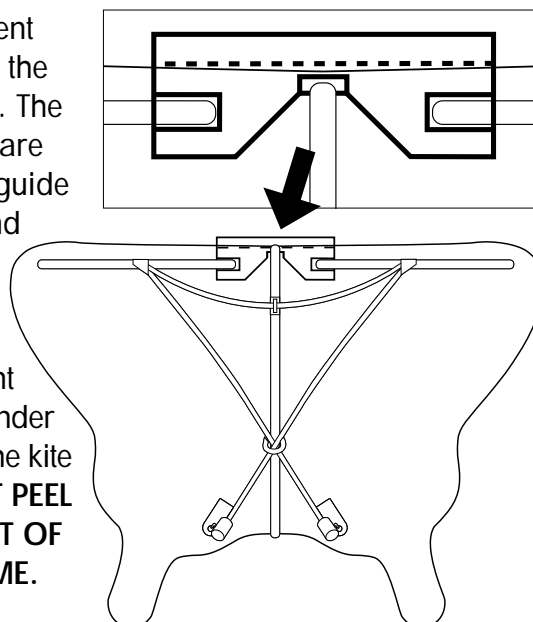
6. Place the **top reinforcement sticker** sheet on the kite and measure the distance from the end cap. Peel off one **wing reinforcement sticker** and place it over the stick on the kite at the end of the sheet. Press sticker down so the kite stick is touching the kite. Press firmly for a good seal. Repeat for the opposite side.



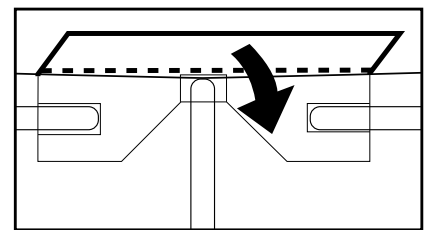
7. Position top two stickers approximately center between stick holder and wing stick cup.



8. Place the top reinforcement sticker **UNDER** the top of the kite and align with sticks. The outlines of the kite sticks are printed on the sticker to guide you. After you understand where the sticker goes then peel the backing sheet off the **BOTTOM PART** of the reinforcement sticker. Place the sticker under kite as before and press the kite firmly to sticker. **DO NOT PEEL OFF NARROW TOP PART OF THE STICKER AT THIS TIME.**



9. Peel the backing sheet off the narrow top part of the reinforcement sticker and fold over the top of kite to the other side and press firmly.



10. Tie string to kite keel. Kite is now ready to fly.

