

# GAYLA BIPLANE KITE #654 ASSEMBLY INSTRUCTIONS

BEFORE BEGINNING CAREFULLY READ THE INSTRUCTIONS. THEN PLACE THE BLACK BRACE PARTS INTO 4 GROUPS. ONE GROUP FOR EACH TYPE OF BRACE. SEE ILLUSTRATION ON RIGHT.

## STEP 1: ASSEMBLE WING CROSS BRACES

COMPLETELY ASSEMBLE THE RIGHT SIDE FIRST THEN TURN THE PLANE AROUND AND ASSEMBLE THE LEFT SIDE. START ON THE TOP RIGHT SIDE OF PLANE. *NOTE: DON'T START FROM LEFT SIDE. THE BRACES WILL APPEAR DIFFERENT THAN INSTRUCTIONS AND YOU MAY ASSEMBLE CROSS BRACES BACKWARDS.*

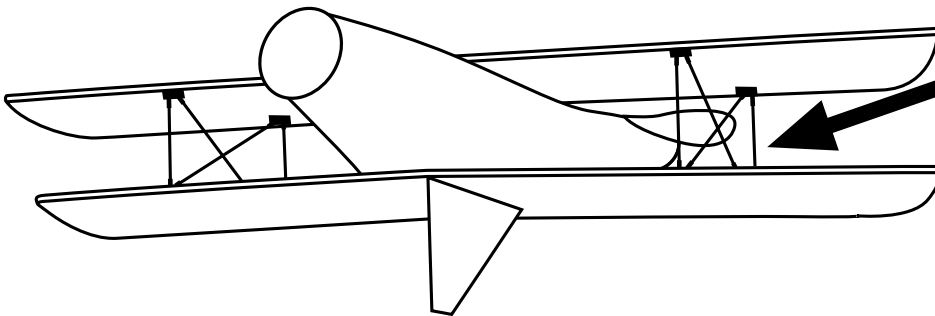
TO ASSEMBLE: INSERT BRACES "A", "B" AND "C" INTO THE SOCKETS AT EDGES OF THE WINGS. THIS FORMS A WING CROSS BRACES GROUP. SEE ILLUSTRATION FOR PLACEMENT.

LEFT SIDE VIEW OF  
ASSEMBLED WINGS

RIGHT SIDE VIEW OF  
ASSEMBLED WINGS



NOTE: THE TOP WING  
IS FORWARD OF  
THOSE BELOW



## PARTS LIST

**BRACE A** 4 PIECES APPROX. 6 INCHES (WING BRACES)

**BRACE B** 2 PIECES APPROX. 8 INCHES (WING BRACES)

**BRACE C** 2 PIECES APPROX. 13 INCHES (WING BRACES)

**BRACE D** 2 PIECES APPROX. 35 INCHES (BODY BRACES)

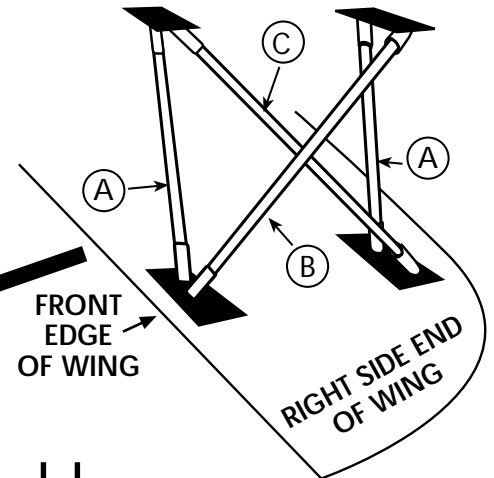
## WHEEL PARTS

**BRACE E** 1 PIECE APPROX. 11.5 INCHES (BODY BRACES)

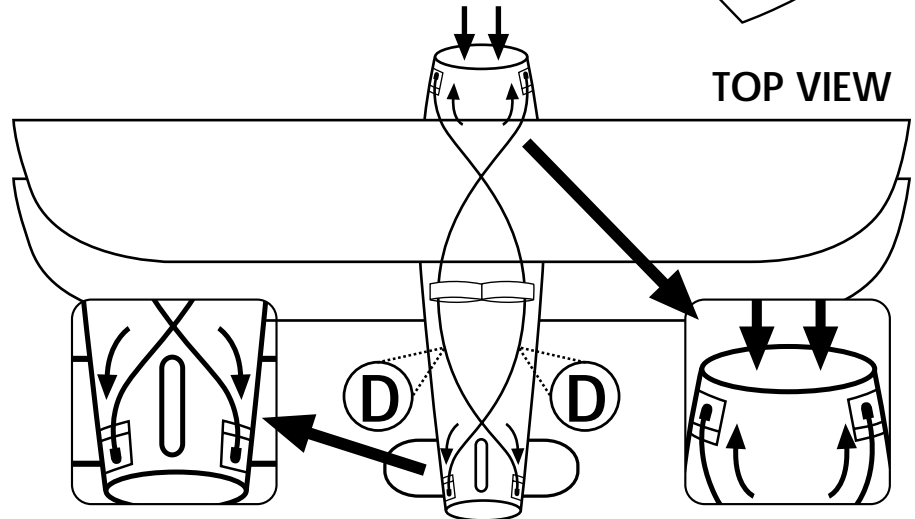
**BRACE F** 2 PIECES APPROX. 3.5 INCHES (WING BRACES)

**BRACE G** 2 PIECES APPROX. 10 INCHES (WING BRACES)

**WHEELS**  
2 PIECES



TOP VIEW

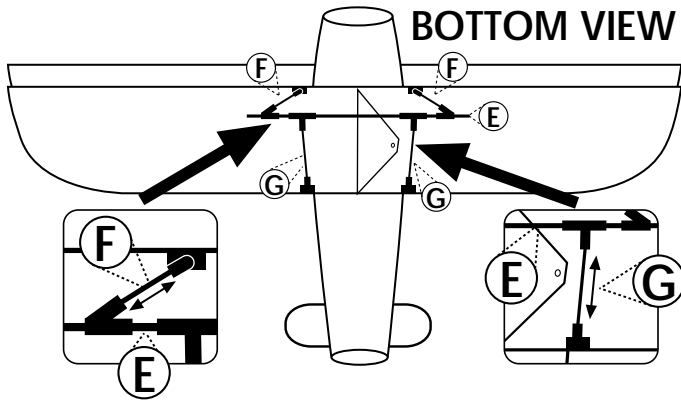


## STEP 2: ASSEMBLE BODY BRACES

INSERT BODY BRACES D INTO MAIN BODY THROUGH THE LOOPS SEWN IN THE MIDDLE INSIDE THE KITE. CROSS BRACES AT EACH END AND PLACE BRACE ENDS INTO POCKETS AT EACH END OF KITE. SEE ILLUSTRATION FOR PLACEMENT.

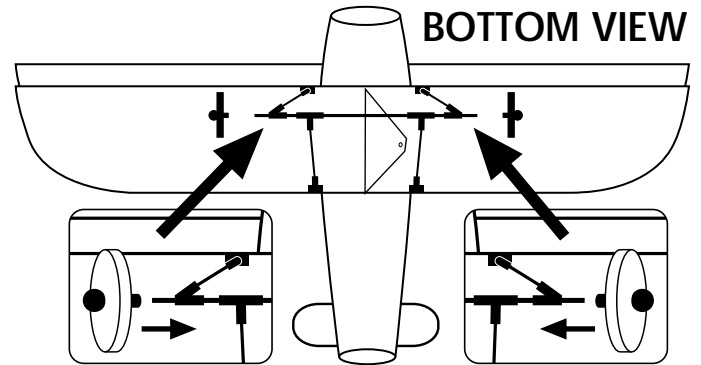
### STEP 3: ASSEMBLE WHEEL BASE

INSERT **BRACES F** TO FRONT OF BOTTOM SIDE OF BOTTOM WING. INSERT **BRACES G** TO BOTTOM SIDE OF BOTTOM WING LOCATED CLOSER TO THE TAIL END OF THE PLANE. INSERT **BRACES F** AND **BRACES G** INTO **BRACE E** AS ILLUSTRATED.



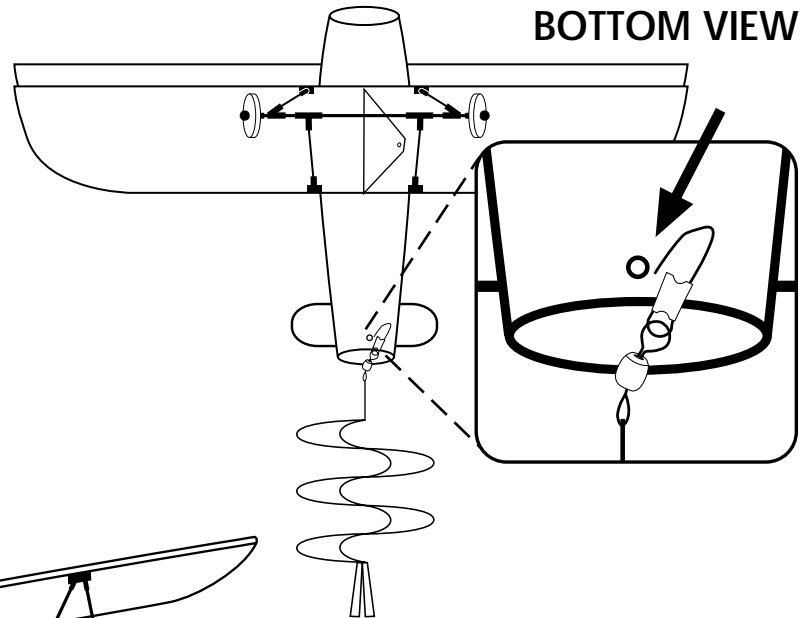
### STEP 4: ATTACH WHEELS

ATTACH **WHEELS** TO **WHEEL BRACE** AS ILLUSTRATED. REPEAT STEP FOR OPPOSITE SIDE.



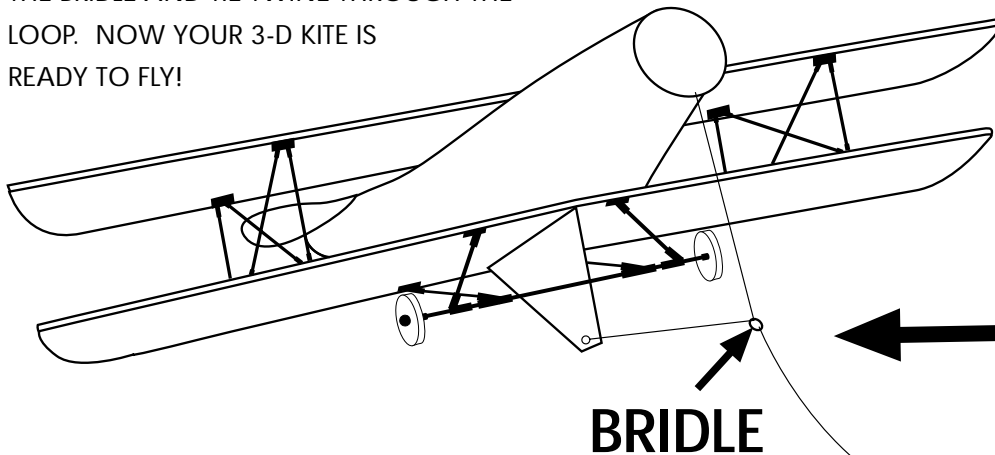
### STEP 5: ATTACH SPINNING GYRO TAIL

LOCATE HOLE UNDERNEATH PLANE TOWARDS THE TAIL END. OPEN PIN ON END OF STRING ATTACHED TO THE TAIL. INSERT THROUGH HOLE. CLOSE TAIL PIN.



### STEP 6: ATTACH TWINE TO BRIDLE

LOCATE BRIDLE UNDERNEATH PLANE. THE BRIDLE RUNS FROM THE NOSE OF THE PLANE TO THE MID SECTION OF THE PLANE. LOCATE THE LOOP IN THE MIDDLE OF THE BRIDLE AND TIE TWINE THROUGH THE LOOP. NOW YOUR 3-D KITE IS READY TO FLY!



PO BOX 920800 HOUSTON TEXAS 77292-0800  
WEB ADDRESS: [www.gaylainc.com](http://www.gaylainc.com)

GAYLA BIPLANE KITE #654  
ASSEMBLY INSTRUCTIONS  
GP 4743 AUG 27 02 2 OF 2